



5.5 inch Smart Touch

Applicable Model: DST.5.3

KNX international standard home and building control system

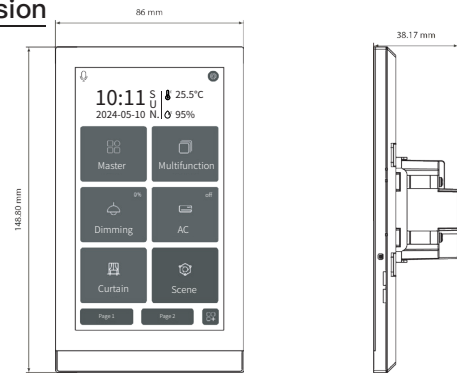
Product Feature

- 5.5" true color MIPI screen, resolution 720*1280, supports capacitive touch;
- Supports vibration and beep prompt feedback for touch or key presses, and the beep intensity can be customized and modified;
- Basic functions such as switch, dimming (two-color), curtains, scenes, and value sending;
- HVAC, discrete air conditioning, floor heating, fresh air and other all-in-one temperature control functions;
- RGB and RGBW dimming function;
- Ambient air quality data monitoring;
- Monitoring and display of energy consumption data such as power consumption, current, and voltage;
- Timer function;
- 8 logical group functions;
- 8 event group functions (each group has 8 configurable output channels);
- Proximity sensing lights up the screen, and parameters can be configured to link other KNX bus devices;
- Temperature and humidity sensor parameter display and equipment linkage control, data display and status abnormality alarm;
- Home page navigation function for quick UI interaction;
- Time and date display and configuration;
- It has functions such as password protection, screensaver and screen lock. Screen savers are independent of each other when turning off the screen, and different screen saver parameters can be selected;
- Theme and background selection configuration, you can customize and change pictures through SD card;

Technical Parameter

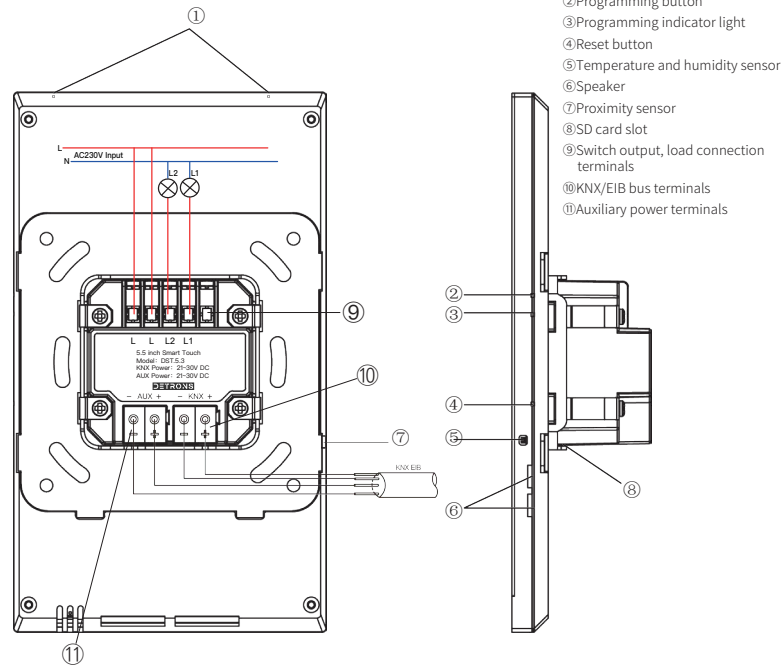
Power	KNX bus voltage	21-30V DC
	KNX current consumption	6mA(30V DC)
	KNX power consumption	180mW(30V DC)
Auxiliary power supply	Auxiliary voltage	21-30V DC
	Auxiliary power supply static power consumption	<36W
The output of the relay	Number of channel	2 channels
	Rated voltage	230V AC (50/60Hz)
	Rated current	10A/channel
	Maximum total power	<2500W/channel
Connection	EIB/KNX bus	Terminal connection (red/black)
	Output terminal	0.8mmØ
Operation and Instructions	Programming button	Device programming physical address and diagnostics
	Indicator Lights	Red light: The device enters programming mode
Temperature range	Operation	-5°C...+45°C
	Storage	-25°C...+55°C
	Transportation	-25°C...+70°C
Environmental conditions	Humidity	<93%, except condensation
Installation	Installation method	Standard 60 box

Dimension



Model	Dimension
DST.5.3	86 x 150 x 38 mm

Wiring Diagram



- ① Microphone
- ② Programming button
- ③ Programming indicator light
- ④ Reset button
- ⑤ Temperature and humidity sensor
- ⑥ Speaker
- ⑦ Proximity sensor
- ⑧ SD card slot
- ⑨ Switch output, load connection terminals
- ⑩ KNX/EIB bus terminals
- ⑪ Auxiliary power terminals

Installation Notes

This device is suitable for installation in a traditional 60 square box. The depth of the junction box should be at least 50mm, and if there is a panel, 70mm is recommended, depending on the actual wiring connection. During installation, it is necessary to ensure that the equipment is operated, tested, inspected, maintained, and repaired correctly.

Important Hint

Installation and commissioning of the equipment may only be performed by qualified and skilled electricians. Relevant standards, directives, rules and instructions must be strictly followed during the planning and implementation of electrical installations.

- Devices need to be protected from moisture, dirt, and damage during transportation, storage, and use.
- Do not operate the device outside specified specifications (eg. temperature range).
- The device can only be operated in a closed environment (eg. junction box).

When the device is dirty, only use a dry cloth to clean it. If this is not enough to clean it, use a damp cloth with a little soapy solution and wipe it gently. Never use alkalis or corrosive solvents.