

Gateway for Ourican View – Technical Documentation

MES-IP-SERVER



Features:

- 120 controls over 15 Pages – Switch, Dim, Shutter, Scene, Ceiling Fan, RGB, TW, AC
- Configure Mobile App through ETS
- Remotely control the Home or Office
- Status LEDs for IP and KNX bus connectivity
- Status LEDs for IP and KNX Traffic
- Ethernet 10/100 Base-T
- RJ45 Connector – non-POE
- Din rail mount assembly
- Dimension: 71.3 (L) X 90.5 (H) X 62 (D) mm [4 DIN Units]
- Total data saving on bus failure
- Control of any standard KNX Device through Mobile App
- Programming button and LED
- CE Mark*

General Product Specifications				
Bus Supply	Voltage (typical)		29VDC SELV	
	Voltage Range		21-31 VDC	
	Maximum Consumption	Voltage	mA	W
		29VDC (typical)	45	1.3
	Bus Connection		Typical Bus Connector TP1, 0.8mm ² section	
External supply		No		
Operating temperature		0 – 70 °C		
Storage Temperature		-25 to + 75°C		
Ambient Humidity		5 to 95% RH (No Condensation)		
Storage Humidity		5 to 95% RH (No Condensation)		
Usage		Indoor, to be mounted inside distribution boxes or electrical panels with DIN rail		
IP Class		IP 20		
Power Failure Response		Data saving		
Response when starting		Data recovering and other settings		
Operation Indication		1 Red LED for indicating programming mode 2 Green LEDs for IP and TP (KNX BUS) status 2 Green LEDs for IP and TP (KNX BUS) Traffic status		
Dimension		71.3 (L) X 90.5 (H) X 62 (D) mm [4 DIN Units]		
Ethernet/RJ45 Connector		Compliant to IEEE 802.3-2005 and 802.3u standard – Cat5/Cat6 cable Non-POE connection, Automatically Obtains IP address.		

Messung Systems Pvt. Ltd.

501 Lunkad Sky Vista, Viman Nagar, Pune 411 014, India.

T: +91 20 6649 2800 | e: info@messung.com | w: www.messung.com

Ver.3

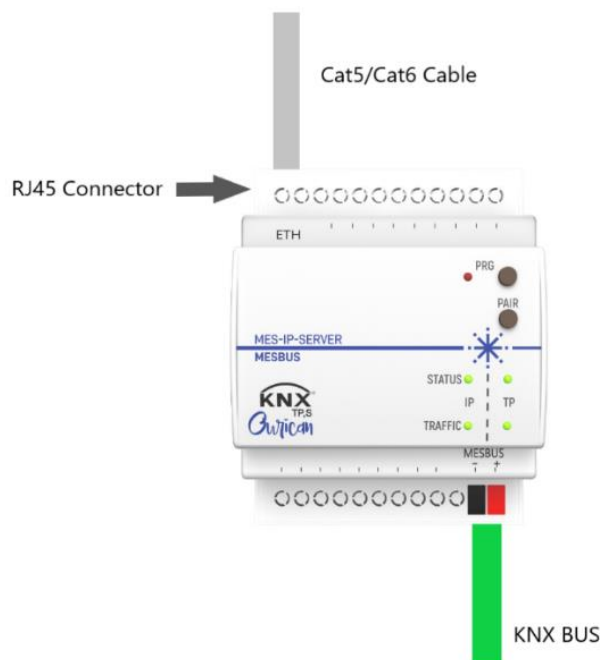
LED and Key Functionality		Function Description
Programming LED	Red	Device in Programming Mode
Status LED – IP	Green	On – IP address Received Off – IP address not received Blink – Config Data is being sent to Mobile App
Status LED – TP	Green	On – connected to KNX Bus Off – not connected to KNX Bus
Traffic LED – IP	Green	Fast Blinking – indicates communication via Internet Off – Ethernet cable not connected.
Traffic LED - TP	Green	Blinking – indicates communication on KNX bus Off – No Communication on KNX Bus
IP status and TP Status	Green	Blinking together – Device in configuration mode*
Programming Key		Short press to put device in Programming mode
Pair Key		Press for 2- 5 seconds to generate access code**

*Do not operate Mobile App

**Access code will be visible on ETS

Firmware Update	
Pair Key	Press for 20sec to put the device in bootloader mode
IP Status (green)	Blinking after every 1 sec indicates device is in Bootloader mode

Wiring Example



SAFETY INSTRUCTIONS

- Installation should only be performed by qualified professionals according to the laws and regulations.
- Do not connect the mains voltage nor any other external voltage to any point of the bus connector and RJ45 connector, it would represent a risk for the entire system. The facility must have enough insulation between the mains (or auxiliary) voltage and the bus or the wires of other accessories, in case of being installed.
- Once the device is installed (in the panel or box), it must not be accessible from outside.
- Keep the device away from water and do not cover it with clothes, paper or any other material while in use.



Messung Systems Pvt. Ltd.

501 Lunkad Sky Vista, Viman Nagar, Pune 411 014, India.

T: +91 20 6649 2800 | e: info@messung.com | w: www.messung.com