

## KNX DALI Gateway– Technical Documentation

# MES-DALI-64



### Features:

- 1 DALI outputs for max. 1 x 64 ECGs
- Individual control of up to 64 ECGs/16 DALI groups
- Supports DALI and DALI-2 standard, as well as DALI DT6/DT8 ECG
- Tunable White, RGB Control, RGBW Control.
- Feedback of switching condition and brightness level in both bus and manual operation.
- 10 KNX Scene functionality
- Fault detection of faulty ECGs.
- Individual DALI devices can be replaced during operation without software.
- Integrated DALI Power supply
- Short Circuit, Overload Protection.
- LCD display for menu guidance during start-up and parameter settings
- Free DALI Parameterize Software for commissioning the DALI bus system and configuration of the groups.
- Din rail mount assembly.

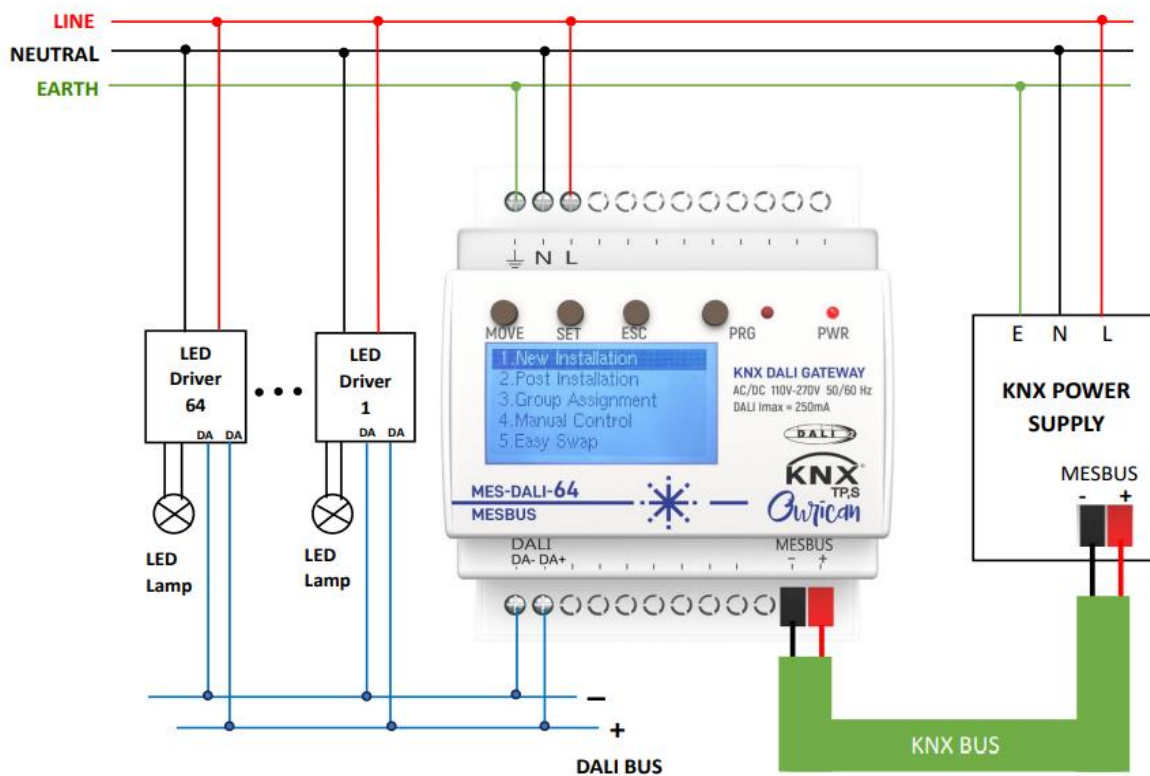
### General Product Specifications

| Type of Device        |                        | Electric control operation device                      |    |     |
|-----------------------|------------------------|--|----|-----|
| MESBUS<br>Supply      | Voltage (typical)      | 29VDC SELV   |    |     |
|                       | Voltage Range          | 21-31 VDC  |    |     |
|                       | Maximum<br>Consumption | Voltage  | mA | mW  |
|                       |                        | 29VDC (typical)  | 10 | 290 |
| Bus Connection        |                        | Typical Bus Connector TP1, 0.8 mm <sup>2</sup> section |    |     |
| Operating temperature |                        | 0 – 45 °C  |    |     |
| Storage Temperature   |                        | -25 to + 75°C  |    |     |
| Ambient Humidity      |                        | 5 to 95% RH (No Condensation)                          |    |     |
| Storage Humidity      |                        | 5 to 95% RH (No Condensation)                          |    |     |

|                        |  |
|------------------------|--|
| Usage                  | Indoor, to be mounted inside distribution boxes or Electrical panels with DIN rail |
| IP Class               | IP 20  |
| Dimension              | 71.3 (L) X 90.5 (H) X 62 (D) mm [4 DIN Units]                                      |
| Power Failure Response | Data saving  |
| Operation Indication   | 1 Programming LED indicates programming mode (Red).                                |

| Technical Specifications            |  |
|-------------------------------------|--|
| No. of Channels                     | 1 Channel                                |
| External supply                     | 110 V AC/DC - 270 V AC/DC, 50 Hz - 60 Hz |
| Power Consumption                   | 6W                                       |
| Guaranteed supply current           | 200 mA                                   |
| Maximum supply current              | 250 mA                                   |
| DALI Voltage                        | Typical 18VDC (12...20.5)                |
| Short Circuit & Overload Protection | Available                                |
| Max ECG Devices                     | Up to 64 Devices                         |

### Wiring Diagram



### SAFETY INSTRUCTIONS

- Installation should only be performed by qualified professionals according to the laws and regulations.
- Do not connect the mains voltage nor any other external voltage to any point of the MESBUS connector. It would represent a risk for the entire system. The facility must have enough insulation between the mains (or auxiliary) voltage and the MESBUS or the wires of other accessories, in case of being installed.
- Once the device is installed (in the panel or box), it must not be accessible from outside.
- Keep the device away from water and do not cover it with clothes, paper or any other material while in use.

