

Interra KNX Smoke + Heat Detector



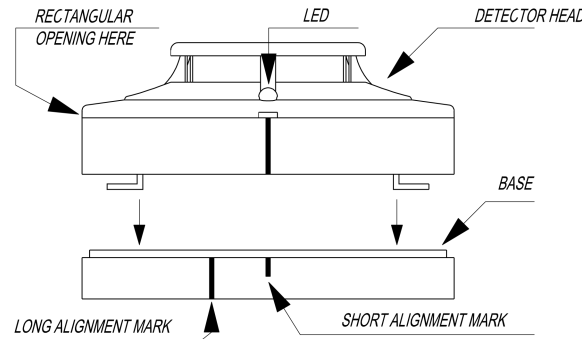
Product Code	ITR403-1001
Power Supply	KNX Power Supply
Current Consumption	7.6 mA (Alarm) 2.8 mA (Standby max.)
Relay Contact Rating	1 A @30V DC 0.25 A @230 V AC
Push Buttons	1 x KNX Programming Button
LED Indicators	1 x KNX Programming LED 1 x Alarm LED
Type of Protection	IP 44
Maximum Air Humidity	< 90 RH
Temperature Range	Operation (-30°C...50°C) Storage (-30°C...70°C)
Colour	Light Grey
Dimensions	100 x 50 mm (Φ x H)
Configuration	Configuration with ETS

DESCRIPTION

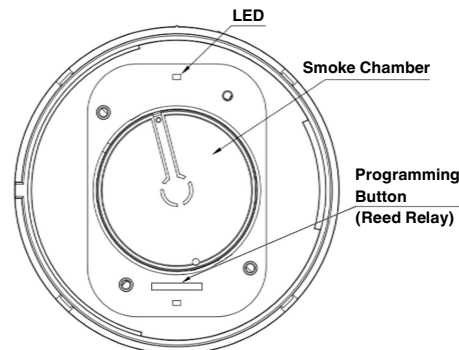
ITR403-1001 Interra KNX Smoke + Heat detector is suitable for use in commercial, industrial, institutional and residential occupancies. ITR403-1001 has a sleek and high-profile design, making installation and field maintenance easy.

INTERRA KNX SMOKE + HEAT DETECTOR LAYOUT

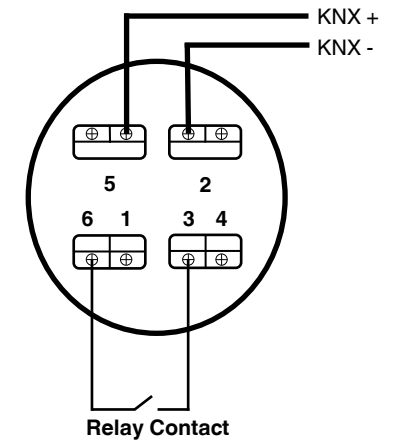
1. Align the components as shown below.



2. Mate the detector head onto the base and twist clockwise to secure it.



CONNECTION DIAGRAM



Note: Terminals 1 and 4 are **not** functional.

INSTALLING

- To insure proper installation of the detector head to the base, all the wires should be properly addressed at installation:
 - KNX + is connecting to the pole of terminal 5.
 - KNX - is connecting to the pole of terminal 2.
 - Relay output 1 is connecting to the pole of terminal 3.
 - Relay output 2 is connecting to the pole of terminal 6.
 Fasten the wires away from connector terminals.
- Open area smoke detectors are intended for mounting on a ceiling no less than 15 cm from a wall or mounting on a wall that no less than 10 cm and no more than 30 cm from a ceiling.
- The base of smoke detector can be mounted directly onto electrical junction box such as octagonal (7.5 cm, 9 cm or 10 cm), round (7.5 cm), and square (10 cm length) box without using any type of mechanical adapter.

Programming

- For activating programming mode, get close magnet to the reed relay (programming button).