



## PD4-KNXs-GH-DX-SM

Prod.No. 93518 EAN: 4007529935185

- Voltage: via KNX BUS
- Dimensions: Ø 101 x 76 mm
- Typ. power input: 12 mA

### Order data

| Designation       | Colour | Art.No |
|-------------------|--------|--------|
| PD4-KNXs-GH-DX-SM | white  | 93518  |

### Accessories

| Designation                      | Colour      | Art.No |
|----------------------------------|-------------|--------|
| BLE-IR-Adapter                   | black       | 93067  |
| IR-Adapter for Smartphones       | black       | 92726  |
| IR-PD-KNX                        | -           | 92123  |
| IR-PD-KNX-Mini                   | -           | 93398  |
| Wire basket BSK (Ø 200 x 90 mm)  | white       | 92199  |
| Blinds PD4                       | transparent | 92313  |
| Pendulum mounting set PD2/3/4 SM | white       | 93179  |

## Technical data

|   |   |
|---|---|
| Voltage:                                  | via KNX BUS                                     |
| Dimensions:                               | Ø 101 x 76 mm                                   |
| Typ. power input:                         | 12 mA   |
| Detection area:                           | horizontal 360°<br>oval (Ceiling<br>mounting)   |
| Range:                                    | 30 m x 19 m                                     |
| Monitored area (tangential<br>movement):  | 440 m <sup>2</sup> / 14 m<br>mounting<br>height |
| Mounting height<br>min./max./recommended: | 5 m / 16 m / 14<br>m                            |
| Degree / class of<br>protection:          | IP54 / Class III                                |
| Impact strength:                          | IK04  |
| Temperature<br>measurement range:         | -5 °C to +45 °C                                 |
| Ambient temperature:                      | -25 °C to +55<br>°C                             |
| Housing:                                  | polycarbonate,<br>UV-resistant                  |
| Number of light sensors:                  | 1   |
| Material color:                           | white mat,<br>similar to<br>RAL9010             |
| Number of PIR sensors:                    | 3   |
| KNX TP 256:                               | Yes   |
| KNX Secure:                               | Yes   |
| Orientation light:                        | 5 - 100 % / OFF<br>/ 1 min - 255<br>min         |
| Night light:                              | 5 - 100 %                                       |
| Brightness set value:                     | 5 - 2000 Lux                                    |

## Product information

KNX occupancy detector designed for high-bay warehouses, with integrated KNX bus connector

KNX Secure ready

HCL/RGB control

Parameterisation from ETS 5 for integration into KNX systems

Individual adaption of detection sensitivity for each PIR sensor

PIR sensors can be deactivated individually

Direction of movement can be identified

External telescopic light sensor for a mounting height between 5 and 16 m (mechanically adjustable) for measuring the light according to the application.

Mixed light measurement with internal and external light sensor

Intelligent semi-automatic mode, occupancy-independent regulating mode (photoelectric switch), full automatic mode

1 x Light (for regulating or switching), 1 x slave output, 3 separate HVAC-blocs

Regulation of up to three lighting groups using offset (external influence possible)

Short presence, self-adjusting follow-up time, corridor function

Various locking functions

Soft-start

Two logic modules

Recall of light scenes

Deactivatable status indicators

The product database for import into the ETS database can be downloaded from the B.E.G. homepage.

Detection area can be extended thanks to master-slave-mode

Extensive optimization options for light measurement

Measured light value is communicated to the bus

Adaption of dimming curve

Bidirectionally remote control-capable with the IR adapter and the B.E.G. smartphone app

PIN code

IR remote control-capable via IR remote control (optionally)

5 button remote control, programmable at choice (accessory)

Programming button (phys. address) can be operated via remote control

HVAC mode (0=automatic, 1=comfort, 2=stand-by,  
3=economy, 4=antifreeze/heat protection)

Manual influence via external KNX push buttons possible

Function control (heartbeat, cyclical sending)

Occupancy simulation

Forced switch-off

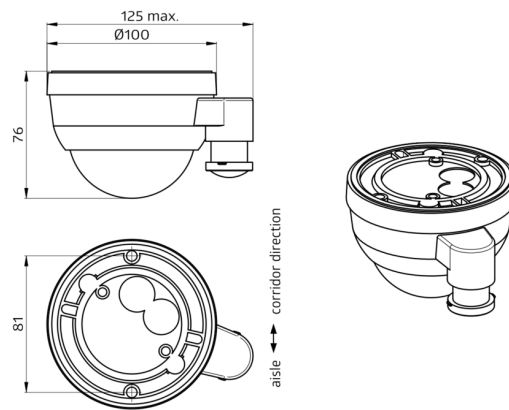
Intelligent central-off function

Premonition of switch-off

Burn-in function for fluorescent lamps selectable from 1h till  
100h

Behaviour upon bus voltage return definable at choice

Variable safety pause after switching off the lights





## Accessories



**BLE-IR-Adapter**  
Art.No: 93067

Dimensions: 40 x 55 x 103 mm  
Material color: black  
Frequency: 2.4 GHz ISM band, GFSK 0.2 dBm + 5.3 dBi = 5.5 dBm



**IR-Adapter for Smartphones**  
Art.No: 92726

Dimensions: 47 x 19 x 10 mm  
Degree / class of protection: IP20  
Ambient temperature: -20 °C to +40 °C



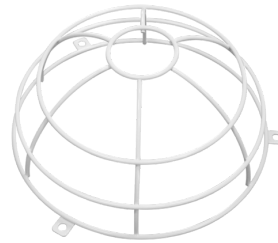
**IR-PD-KNX**  
Art.No: 92123

Battery: 3.0 V Lithium CR2032 (inclusive)  
Dimensions: 80 x 60 x 8 mm  
Material color: -



**IR-PD-KNX-Mini**  
Art.No: 93398

Battery: 3.0 V Lithium CR2032 (inclusive)  
Dimensions: 57 x 35 x 7 mm  
Material color: -



**Wire basket BSK (Ø 200 x 90 mm)**  
Art.No: 92199

Dimensions: Ø 200 x 90 mm  
Impact strength: IK09  
Housing: coated steel basket



**Blinds PD4**  
Art.No: 92313

Housing: Housing UV- and shockresistant Polycarbonate  
Material color: transparent



**Pendulum mounting set PD2/3/4 SM**  
Art.No: 93179

Dimensions: 1 : Ø 113 x 79 mm, 2 : Ø 113 x 34 mm  
Housing: polycarbonate, UV-resistant  
Material color: white, similar to RAL9010