

B.E.G.**LUXOMAT[®]net**

PD4N-KNXs-DX-FM

Prod.No. 93517 EAN: 4007529935178

- Voltage: via KNX BUS
- Dimensions: Ø 106 x 55 mm
- Typ. power input: 12 mA

Order data

Designation	Colour	Art.No
PD4N-KNXs-DX-FM	white	93517

Accessories

Designation	Colour	Art.No
BLE-IR-Adapter	black	93067
IR-PD-KNX	-	92123
IR-PD-KNX-Mini	-	93398
SM socle mounting set IP54 PD2N- / PD4N-FM	white	93307
SM socle mounting set IP54 PD2N- / PD4N-FM	black	93753
SM socle mounting set IP54 PD2N- / PD4N-FM	traffic white	93752
SM socle mounting set IP54 PD2N- / PD4N-FM	anthracite	93751
SM socle mounting set IP65 PD4N	white	93314
lens PD4N, Cover ring	anthracite	93731
lens PD4N, Cover ring	black	93733
lens PD4N, Cover ring	traffic white	93732
Corridor lens PD4N type A	white	93073

Corridor lens PD4N type A, Cover ring	traffic white	93742
Corridor lens PD4N type A, Cover ring	anthracite	93741
Corridor lens PD4N type A, Cover ring	black	93743
Wire basket BSK (Ø 200 x 90 mm)	white	92199
Wall holder PD2N/4N Typ A	white	93164

Technical data

Voltage:	via KNX BUS
Dimensions:	Ø 106 x 55 mm
Typ. power input:	12 mA
Detection area:	horizontal 360° (Ceiling mounting) max. Ø 24 m across max. Ø 8 m towards seated
Range:	450 m ² / 2.5 m mounting height
Monitored area (tangential movement):	2 m / 10 m / 2.5 m
Mounting height min./max./recommended:	IP20 / Class III
Degree / class of protection:	IK04
Impact strength:	-5 °C to +45 °C
Temperature measurement range:	-25 °C to +55 °C
Ambient temperature:	polycarbonate, UV-resistant
Housing:	2
Number of light sensors:	white mat, similar to RAL9010
Material color:	4
Number of PIR sensors:	Yes
KNX TP 256:	Yes
KNX Secure:	5 - 100 % / OFF / 1 min - 255 min
Orientation light:	Night light: 5 - 100 %
Night light:	Brightness set value: 5 - 2000 Lux
Brightness set value:	

Product information

KNX occupancy detector with integrated KNX bus connector

KNX Secure ready

HCL/RGB control

Parameterisation from ETS 5 for integration into KNX systems

Individual adaption of detection sensitivity for each PIR sensor

PIR sensors can be deactivated individually

Direction of movement can be identified

Mixed light measurement using internal, external and remote (optional) light sensors

Intelligent semi-automatic mode, occupancy-independent regulating mode (photoelectric switch), full automatic mode

1 x Light (for regulating or switching), 1 x slave output, 3 separate HVAC-blocs

Regulation of up to three lighting groups using offset (external influence possible)

Short presence, self-adjusting follow-up time, corridor function

Various locking functions

Soft-start

Two logic modules

Recall of light scenes

Deactivatable status indicators

Temperature- and noise sensor

The product database for import into the ETS database can be downloaded from the B.E.G. homepage.

Detection area can be extended thanks to master-slave-mode

Extensive optimization options for light measurement

Measured light value is communicated to the bus

Adaption of dimming curve

Bidirectionally remote control-capable with the IR adapter and the B.E.G. smartphone app

PIN code

IR remote control-capable via IR remote control (optionally)

5 button remote control, programmable at choice (accessory)

Programming button (phys. address) can be operated via remote control

HVAC mode (0=automatic, 1=comfort, 2=stand-by, 3=economy, 4=antifreeze/heat protection)

Manual influence via external KNX push buttons possible

Function control (heartbeat, cyclical sending)

Occupancy simulation

Forced switch-off

Intelligent central-off function

Premonition of switch-off

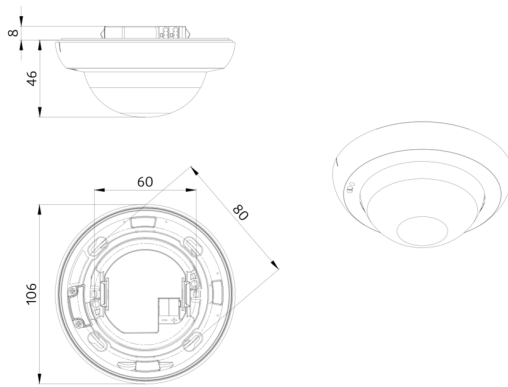
Burn-in function for fluorescent lamps selectable from 1h till 100h

Behaviour upon bus voltage return definable at choice

Variable safety pause after switching off the lights

Typical applications:

monitoring of large areas like underground garages, gyms, warehouses, loading ramps, halls



Accessories



BLE-IR-Adapter
Art.No: 93067

Dimensions: 40 x 55 x 103 mm
Material color: black
Frequency: 2.4 GHz ISM band, GFSK
0.2 dBm + 5.3 dBi = 5.5 dBm



**SM socle mounting set IP54
PD2N- / PD4N-FM**
Art.No: 93307

Dimensions: Ø 109 x 19 mm
Degree / class of protection: IP54
Material color: white, similar to
RAL9010



**SM socle mounting set IP54
PD2N- / PD4N-FM**
Art.No: 93751

Dimensions: Ø 109 x 19 mm
Degree / class of protection: IP54
Housing: polycarbonate, UV-resistant



IR-PD-KNX
Art.No: 92123

Battery: 3.0 V Lithium CR2032
(inclusive)
Dimensions: 80 x 60 x 8 mm
Material color: -



**SM socle mounting set IP54
PD2N- / PD4N-FM**
Art.No: 93753

Dimensions: Ø 109 x 19 mm
Degree / class of protection: IP54
Housing: polycarbonate, UV-resistant



**SM socle mounting set IP65
PD4N**
Art.No: 93314

Dimensions: 133 x 133 x 69 mm
Degree / class of protection: IP65
Material color: white



IR-PD-KNX-Mini
Art.No: 93398

Battery: 3.0 V Lithium CR2032
(inclusive)
Dimensions: 57 x 35 x 7 mm
Material color: -



**SM socle mounting set IP54
PD2N- / PD4N-FM**
Art.No: 93752

Dimensions: Ø 109 x 19 mm
Degree / class of protection: IP54
Housing: polycarbonate, UV-
resistant



lens PD4N, Cover ring
Art.No: 93731

Detection area: horizontal 360°
(Ceiling mounting)
Range: max. Ø 24 m
across
max. Ø 8 m
towards
max. Ø 6.4 m
seated
Monitored area (tangential
movement): 450 m² / 2.5 m
mounting height



lens PD4N, Cover ring

Art.No: 93733

Detection area: horizontal 360° (Ceiling mounting)

Range: max. Ø 24 m across
max. Ø 8 m towards
max. Ø 6.4 m seated

Monitored area (tangential movement): 450 m² / 2.5 m mounting height



lens PD4N, Cover ring

Art.No: 93732

Detection area: horizontal 360° (Ceiling mounting)

Range: max. Ø 24 m across
max. Ø 8 m towards
max. Ø 6.4 m seated

Monitored area (tangential movement): 450 m² / 2.5 m mounting height



Corridor lens PD4N type A

Art.No: 93073

Detection area: horizontal 360° (Ceiling mounting)

Range: max. Ø 40 m across
max. Ø 20 m towards

Monitored area (tangential movement): 250 m² / 2.5 m mounting height



Corridor lens PD4N type A, Cover ring

Art.No: 93742

Detection area: horizontal 360° (Ceiling mounting)

Range: max. Ø 40 m across
max. Ø 20 m towards

Monitored area (tangential movement): 250 m² / 2.5 m mounting height



Corridor lens PD4N type A, Cover ring

Art.No: 93741

Detection area: horizontal 360° (Ceiling mounting)

Range: max. Ø 40 m across
max. Ø 20 m towards

Monitored area (tangential movement): 250 m² / 2.5 m mounting height



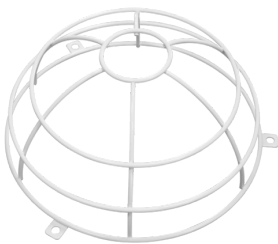
Corridor lens PD4N type A, Cover ring

Art.No: 93743

Detection area: horizontal 360° (Ceiling mounting)

Range: max. Ø 40 m across
max. Ø 20 m towards

Monitored area (tangential movement): 250 m² / 2.5 m mounting height



Wire basket BSK (Ø 200 x 90 mm)

Art.No: 92199

Dimensions: Ø 200 x 90 mm
Impact strength: IK09
Housing: coated steel basket



Wall holder PD2N/4N Typ A

Art.No: 93164

Dimensions: 133 x 106 x 66 mm
Degree / class of protection: IP54 /
Housing: polycarbonate, UV-resistant