



## Indoor 180-KNXs-ST covering not included

Prod.No. 93524 EAN: 4007529935246

- Voltage: via KNX BUS
- Dimensions: (covering not included) 70 x 70 x 61 mm
- Typ. power input: 12 mA

### Order data

Designation	Colour	Art.No
Indoor 180-KNXs-ST covering not included	-	93524

### Accessories

Designation	Colour	Art.No
BLE-IR-Adapter	black	93067
IR-Adapter for Smartphones	black	92726
IR-PD-KNX	-	92123
Frame IP20 Indoor 180	pure white	92630
Frame IP20 Indoor 180	traffic white	92631
Frame IP20 Indoor 180	anthracite	92634
Frame IP54 Indoor 180	pure white	92139
Frame IP20 Indoor 180	oyster white	92632
Frame IP20 Indoor 180	silver	92633
Surface mounting socket Indoor 180	pure white	92141
Central plate Indoor 180 45x45	traffic white	38947
Central plate Indoor 180 45x45	oyster white	39076
Central plate Indoor 180 55 x 55 mm	pure white	39222

Central plate Indoor 180 55 x 55 mm	signal white	39241
Central plate Indoor 180 55x55	traffic white	39242
Central plate Indoor 180 S1 56x56	pure white	35126
Central plate Indoor 180 56x56 modular2	pure white	35127
Blinds Indoor 180 transparent		92294
Blind Indoor 180		33233

## Technical data

Voltage:	via KNX BUS (covering not included) 70 x 70 x 61 mm
Dimensions:	
Typ. power input:	12 mA
Detection area:	horizontal 180° (Wall mounting) max. 10 m across max. 3 m towards
Range:	
Monitored area (tangential movement):	150 m <sup>2</sup> / 1.1 m mounting height
Mounting height min./max./recommended:	1 m / 2.2 m / 1.1 m
Degree / class of protection:	IP20 / Class III
Impact strength:	IK05
Ambient temperature:	-25 °C to +55 °C
Housing:	polycarbonate, UV-resistant
Number of light sensors:	1
Material color:	-
Number of PIR sensors:	1
KNX TP 256:	Yes
KNX Secure:	Yes
Orientation light:	5 - 100 % / OFF / 1 min - 255 min
Night light:	5 - 100 %
Brightness set value:	5 - 2000 Lux

## Product information

KNX occupancy detector with integrated KNX bus coupler, especially for installation in walls

KNX Secure ready

Parameterisation from ETS 5 for integration into KNX systems

Individual adaption of the PIR sensor sensitivity

Mixed light measurement using internal and remote (optional) light sensors

Intelligent semi-automatic mode, occupancy-independent regulating mode (photoelectric switch), full automatic mode

1 x Light (for regulating or switching), 1 x slave output, 3 separate HVAC-blocs

Regulation of up to three lighting groups using offset (external influence possible)

Short presence, self-adjusting follow-up time, corridor function

Various locking functions

Soft-start

Recall of light scenes

Deactivatable status indicators

The product database for import into the ETS database can be downloaded from the B.E.G. homepage.

Detection area can be extended thanks to master-slave-mode

Measured light value is communicated to the bus

Adaption of dimming curve

Bidirectionally remote control-capable with the IR adapter and the B.E.G. smartphone app

PIN code

IR remote control-capable via IR remote control (optionally)

Programming button (phys. address) can be operated via remote control

HVAC mode (0=automatic, 1=comfort, 2=stand-by, 3=economy, 4=antifreeze/heat protection)

Manual influence via external KNX push buttons possible

Function control (heartbeat, cyclical sending)

Forced switch-off

Intelligent central-off function

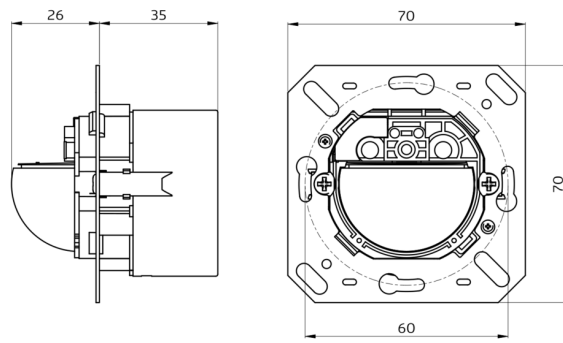
Premonition of switch-off

Burn-in function for fluorescent lamps selectable from 1h till 100h

Behaviour upon bus voltage return definable at choice

Variable safety pause after switching off the lights

**Application examples:** monitoring of public lavatories, corridors, archive rooms, conference rooms



## Accessories



**BLE-IR-Adapter**  
Art.No: 93067

Dimensions: 40 x 55 x 103 mm  
Material color: black  
Frequency: 2.4 GHz ISM band, GFSK  
0.2 dBm + 5.3 dBi = 5.5 dBm



**Frame IP20 Indoor 180**  
Art.No: 92630

Dimensions: 86 x 86 mm  
Degree / class of protection: IP20  
Housing: polycarbonate, UV-resistant



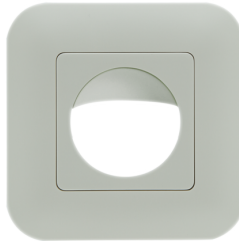
**Frame IP54 Indoor 180**  
Art.No: 92139

Dimensions: 87 x 87 mm  
Degree / class of protection: IP54  
Housing: polycarbonate, UV-resistant



**IR-Adapter for Smartphones**  
Art.No: 92726

Dimensions: 47 x 19 x 10 mm  
Degree / class of protection: IP20  
Ambient temperature: -20 °C to +40 °C



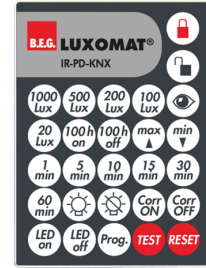
**Frame IP20 Indoor 180**  
Art.No: 92631

Dimensions: 86 x 86 mm  
Degree / class of protection: IP20  
Housing: polycarbonate, UV-resistant



**Frame IP20 Indoor 180**  
Art.No: 92632

Dimensions: 86 x 86 mm  
Degree / class of protection: IP20  
Housing: polycarbonate, UV-resistant



**IR-PD-KNX**  
Art.No: 92123

Battery: 3.0 V Lithium CR2032 (inclusive)  
Dimensions: 80 x 60 x 8 mm  
Material color: -



**Frame IP20 Indoor 180**  
Art.No: 92634

Dimensions: 86 x 86 mm  
Degree / class of protection: IP20  
Housing: polycarbonate, UV-resistant



**Frame IP20 Indoor 180**  
Art.No: 92633

Dimensions: 86 x 86 mm  
Degree / class of protection: IP20  
Housing: polycarbonate, UV-resistant



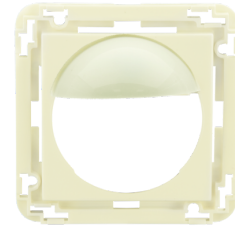
**Surface mounting socket Indoor 180**  
Art.No: 92141

Dimensions: 88 x 88 x 42 mm  
Degree / class of protection: IP54  
Impact strength: IK05



**Central plate Indoor 180 45x45**  
Art.No: 38947

Dimensions: 45 x 45 mm  
Material color: traffic white mat, similar to RAL9016



**Central plate Indoor 180 45x45**  
Art.No: 39076

Dimensions: 45 x 45 mm  
Housing: polycarbonate, UV-resistant  
Material color: oyster white mat, similar to RAL1013



**Central plate Indoor 180 55 x 55 mm**  
Art.No: 39222

Dimensions: 55 x 55 mm  
Housing: polycarbonate, UV-resistant  
Material color: pure white glossy, similar to RAL9010



**Central plate Indoor 180 55 x 55 mm**  
Art.No: 39241

Dimensions: 55 x 55 mm  
Housing: polycarbonate, UV-resistant  
Material color: signal white glossy, similar to RAL9003



**Central plate Indoor 180 55x55**  
Art.No: 39242

Dimensions: 55 x 55 mm  
Housing: polycarbonate, UV-resistant  
Material color: traffic white glossy, similar to RAL9016



**Central plate Indoor 180 S1 56x56**  
Art.No: 35126

Dimensions: 56 x 56 mm  
Housing: polycarbonate, UV-resistant  
Material color: pure white glossy, similar to RAL9010



**Central plate Indoor 180 56x56 modular2**  
Art.No: 35127

Dimensions: 56 x 56 mm  
Housing: polycarbonate, UV-resistant  
Material color: pure white glossy, similar to RAL9010



**Blinds Indoor 180 transparent**  
Art.No: 92294

Housing: polycarbonate, UV-resistant



**Blind Indoor 180**

Art.No: 33233

Housing: polycarbonate, UV-resistant

Material color: white