

### FEATURES

- Room access control through NFC technology access cards and Bluetooth communication. Compatible cards:
  - MIFARE DESFire 2K
  - MIFARE Classic 1K
- Available in the following colors: anthracite black (RAL 9004) and white (RAL 9016)
- Supports KNX Data Secure
- 1 touch area
- Luminosity and proximity sensor
- Customizable color access LED indicator
- Total data saving on power failure
- Integrated KNX BCU (TP1-256)
- Dimensions 85.6 x 85.6 x 16.8 mm
- Indoor or outdoor installation
- IP56 and IK07 degree of protection
- Surface installation
- Conformity with CE, UKCA, RCM directives (marks on the back side)

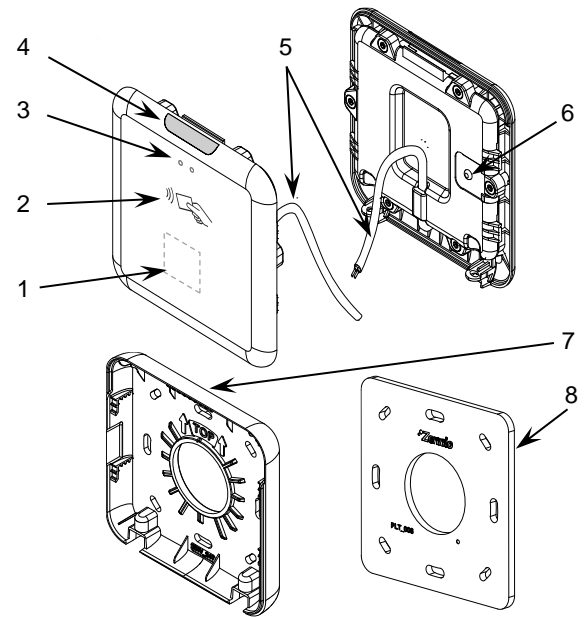


Figure 1: IWAC Out

1. Touch area	2. NFC antenna	3. Luminosity and proximity sensor	4. Access and programming LED indicator
5. KNX bus connection cable	6. Programming button	7. Fixing base	8. Accessory for installing IWAC Out on non-smooth walls

Programming button: short press to set programming mode. If this button is held while plugging the device into the KNX bus, it enters the safe mode. In order to perform a KNX Secure factory reset, while the device is in safe mode, press the button for 10 seconds until the programming LED changes its state.

Programming LED: programming mode indicator (red). When the device enters the safe mode, it blinks (red) every half second. During start up (after reset or power failure) and if the device is not in safe mode, indicator makes a red flash.

### GENERAL SPECIFICATIONS

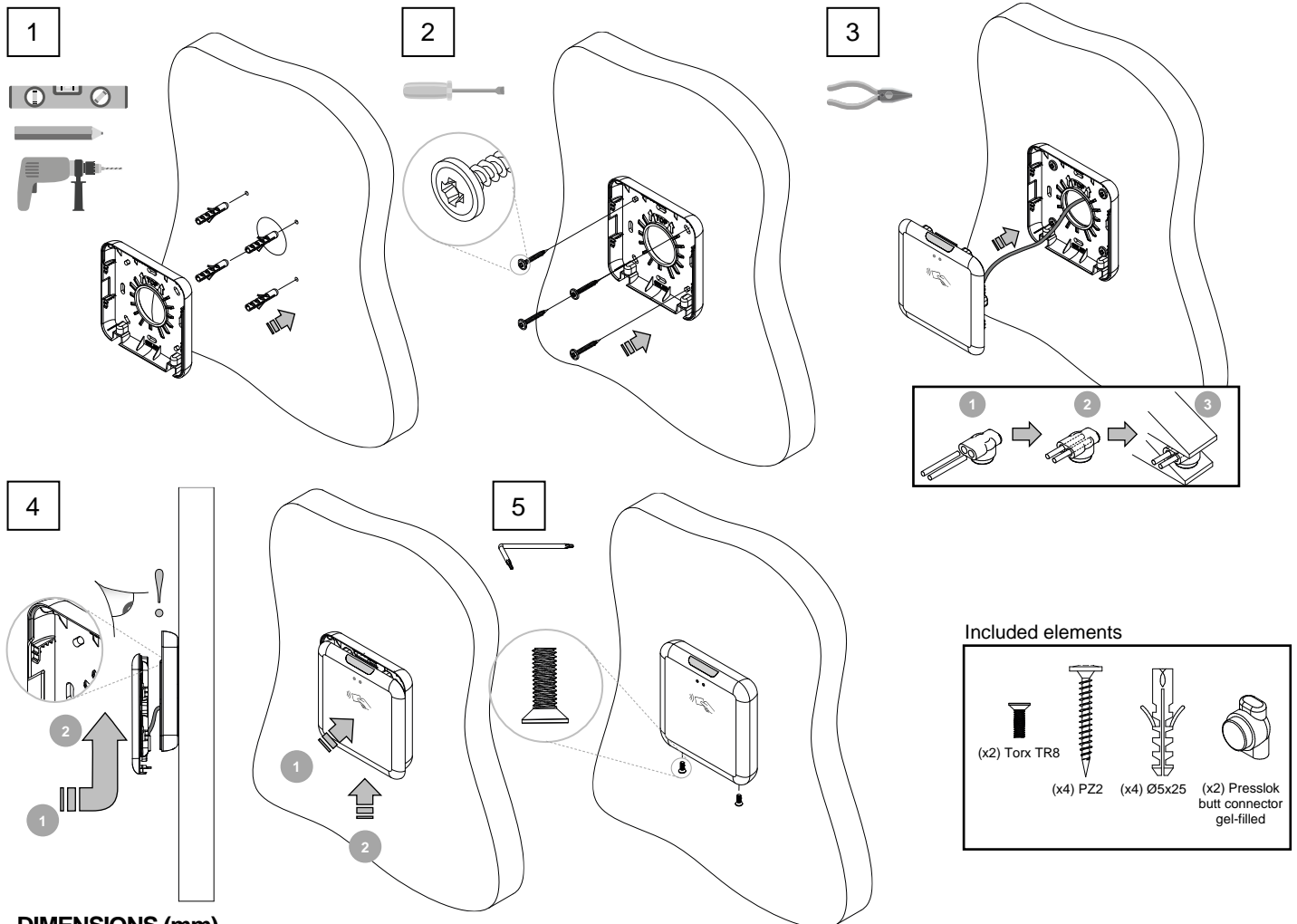
CONCEPT		DESCRIPTION		
Type of device		Electric operation control device		
KNX supply	Voltage (typical)	29 VDC SELV		
	Voltage range	21-31 VDC		
	Maximum consumption	Voltage	mA	mW
		29 VDC (typical)	15.3	443.7
24 VDC <sup>1</sup>	17.5	420		
Connection type		Two wire cable with exterior jacket (UL20251 - 22AWG)		
External power supply		Not required		
Operation temperature		-25 .. +55 °C		
Storage temperature		-25 .. +55 °C		
Operation humidity		5 .. 95%		
Storage humidity		5 .. 95%		
Complementary characteristics		Class B		
Protection class		III		
Operation type		Continuous operation		
Device action type		Type 1		
Electrical stress period		Long		
Degree of protection		IP56 and IK07		
Installation		Surface-mounted with screws		
Minimum clearances		Not required		
Response on KNX bus failure		Data saving according to parameterization		
Response on KNX bus restart		Data recovery according to parameterization		
Operation indicator		According to its parameterization, the access indicator can show the room status and temporarily change its color when a NFC card is detected. Additionally, it indicates programming mode (steady red).		
Weight		126 g		
Housing material		PC+ABS FR V0 halogen free		

<sup>1</sup> Maximum consumption in the worst-case scenario (KNX Fan-In model).

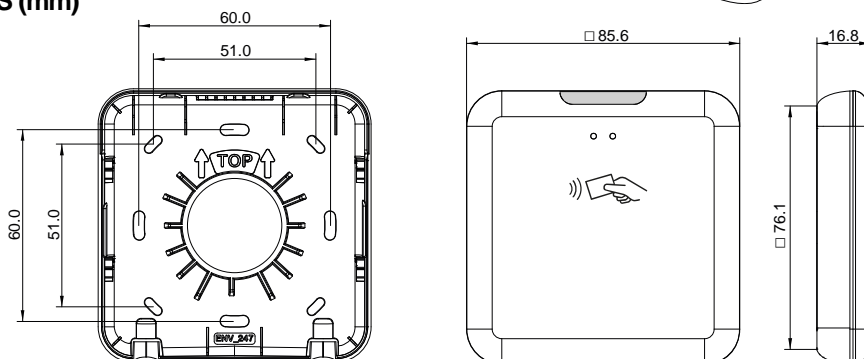
## INSTALLATION INSTRUCTIONS

1. Place the fixing base correctly levelled on the wall and mark the position of the holes. Drill four holes of 5 mm diameter and insert the supplied plugs. In case of installing on a back box, the box holes may be used.
2. Anchor the base on the wall using the supplied cross-head screws (PZ2) checking that the base is levelled and the "TOP" mark is facing upwards.
3. Pass the wire through the hole and make the connection to the KNX bus by first inserting the unstripped cables in the supplied connectors (one for each pole) and then pressing on them using the pliers.
4. Find the position where the IWAC Out inserts into the fixing base and then push it up.
5. Fix the device by placing the Torx screws (TR8) at the bottom, using the appropriate key.

Note: The installation of the device in zones with direct sunlight exposure is not recommended.



### DIMENSIONS (mm)



## SAFETY INSTRUCTIONS AND ADDITIONAL NOTES

- Installation should only be performed by qualified professionals according to the laws and regulations applicable in each country.
- The device has water and dust resistant, the conducted tests under IEC standard 60529 get an IP56 rating. Furthermore, water and dust resistance are not permanent conditions and resistance might decrease as a result of normal wear.
- Do not connect the mains voltage nor any other external voltage to any point of the KNX bus; it would represent a risk for the entire KNX system. The facility must have enough insulation between the mains (or auxiliary) voltage and the KNX bus or the wires of other accessories, in case of being installed.
- The WEEE logo means that this device contains electronic parts and it must be properly disposed of by following the instructions at <https://www.zennio.com/en/legal/weee-regulation>.
- This device contains software subject to specific licences. For details, please refer to <https://zennio.com/licenses>.