

FEATURES

- KNX Doorbell insert with 4 doorbells and 8 tones
- 65 dB of acoustic power at a distance of one meter
- Available colours, please refer to: <https://www.zennio.com/finishes>
- KNX Data Secure supported
- Total data saving on KNX bus failure
- Integrated KNX BCU (TP1-256)
- Low profile: it protrudes 9.5 mm from the wall
- Dimensions:
 - ZS55: 55.5 x 55.5 x 38.0 mm
 - ZS70: 70.7 x 70.7 x 38.0 mm
- Flush mount on standard European and Swiss mounting box
- Conformity with the CE, RCM directives (marks on the back side)

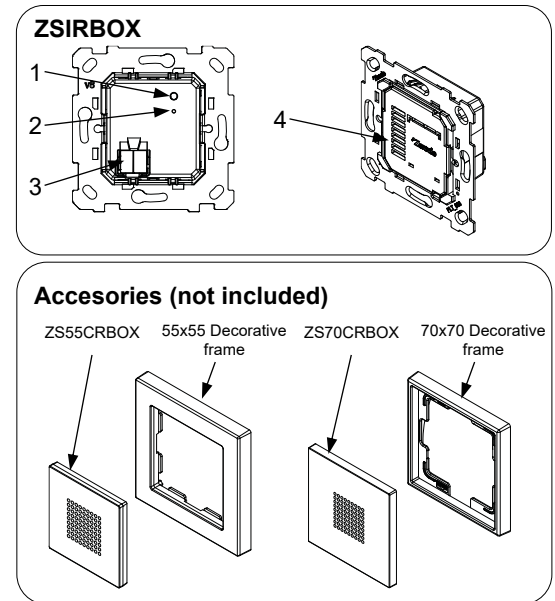


Figure 1: RingBOX

1. Programming button	2. Programming LED	3. KNX connector	4. Loudspeaker
-----------------------	--------------------	------------------	----------------

Programming button: short press to set programming mode. If this button is held while plugging the device into the KNX bus, it enters the safe mode. In order to perform a KNX Secure factory reset, while the device is in safe mode, press the button for 10 seconds until the programming LED changes its state.

Programming LED: programming mode indicator (red). When the device enters the safe mode, it blinks (red) every half second. During the start-up (reset or after KNX bus failure) and if the device is not in safe mode, it emits a red flash.

GENERAL SPECIFICATIONS

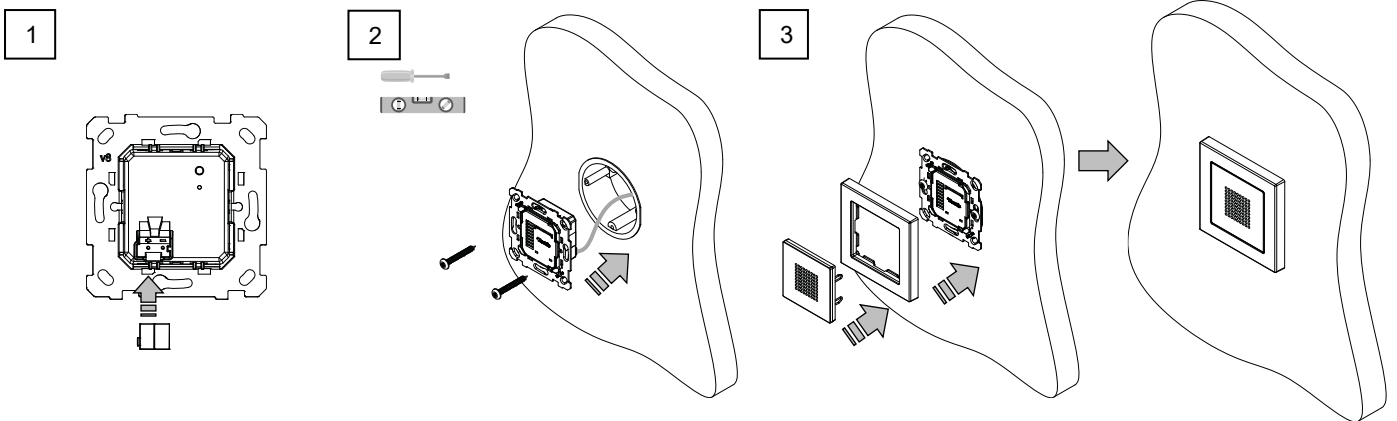
CONCEPT		DESCRIPTION		
Type of device		Electric operation control device		
KNX supply	Voltage (typical)	29 VDC SELV		
	Voltage range	21-31 VDC ²		
	Maximum consumption	Voltage	mA	mW
		29 VDC (typical)	4.7 (78 mA during sound)	136.3
24 VDC ¹	10	240		
Connection type		Typical TP1 bus connector for 0.8 mm Ø rigid cable		
External power supply		Not required		
Operation temperature		0 .. +55 °C		
Storage temperature		-20 .. +55 °C		
Operation humidity		5 .. 95%		
Storage humidity		5 .. 95%		
Complementary characteristics		Class B		
Protection class		III		
Operation type		Continuous operation		
Device action type		Type 1		
Electrical stress period		Long		
Degree of protection		IP20, clean environment		
Installation		Flush mount on back box		
Minimum clearances		Not required		
Response on KNX bus failure		Data saving according to parameterization		
Response on KNX bus restart		Data recovery according to parameterization		
Operation indicator		The programming LED indicates programming mode (red).		
Weight		30 g		
Housing material		PC+ABS FR V0 halogen free		

¹ Maximum consumption in the worst-case scenario (KNX Fan-In model).

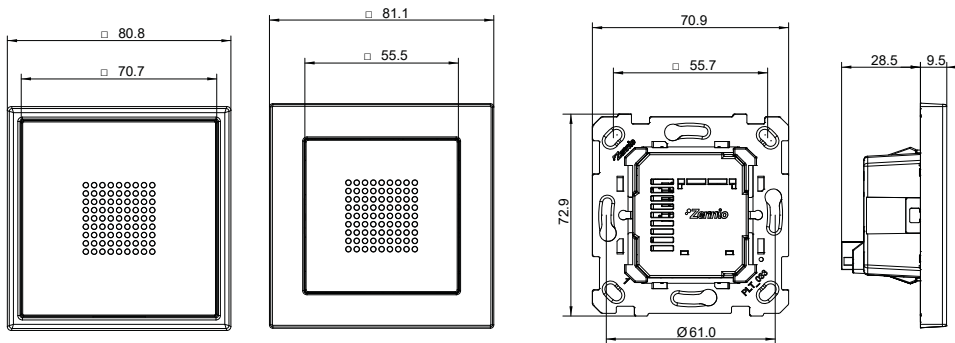
² For "boost" volume, the range is 24 - 31 VDC

INSTALLATION INSTRUCTIONS

1. Connect the KNX bus to the back of the device.
2. Fix the metallic plate to a square or round flush back box, by using the screws from the back box (fixing clamps can optionally be used). Check that the plate is correctly levelled.
3. Fix the frame and cover to the fixing plate by using the clips.



DIMENSIONS (mm)



SAFETY INSTRUCTIONS AND ADDITIONAL NOTES

- Installation should only be performed by qualified professionals according to the laws and regulations applicable in each country.
- Do not connect the mains voltage nor any other external voltage to any point of the KNX bus; it would represent a risk for the entire KNX system. The facility must have enough insulation between the mains (or auxiliary) voltage and the KNX bus or the wires of other accessories, in case of being installed.
- Keep the device away from water (condensation over the device included) and do not cover it with clothes, paper or any other material while in use.
- The WEEE logo means that this device contains electronic parts and it must be properly disposed of by following the instructions at <https://www.zennio.com/en/legal/wEEE-regulation>.
- This device contains software subject to specific licences. For details, please refer to <https://zennio.com/licenses>.