

Meeting Presentation

News & Facts in ETS3.0f (Build 990)

Conference for Training Centres, 10.06.08

www.knx.org

News & Facts in ETS3.0f

Agenda

1. New Customer Features

Several Inputs from Users

1. New Communication Object Property Page
2. #Associations Column in Group Address View

2. New Developer Features

Several Inputs from Manufacturer Requirements

1. Native System 300 Support
2. NET 2.0 Support for Plug In Development
3. Standalone Falcon Supports of Long Frames
4. Support of KNX IP Devices

3. Bug Correction

Several Inputs from our Error Tracking System (~ 50)

New Customer Features

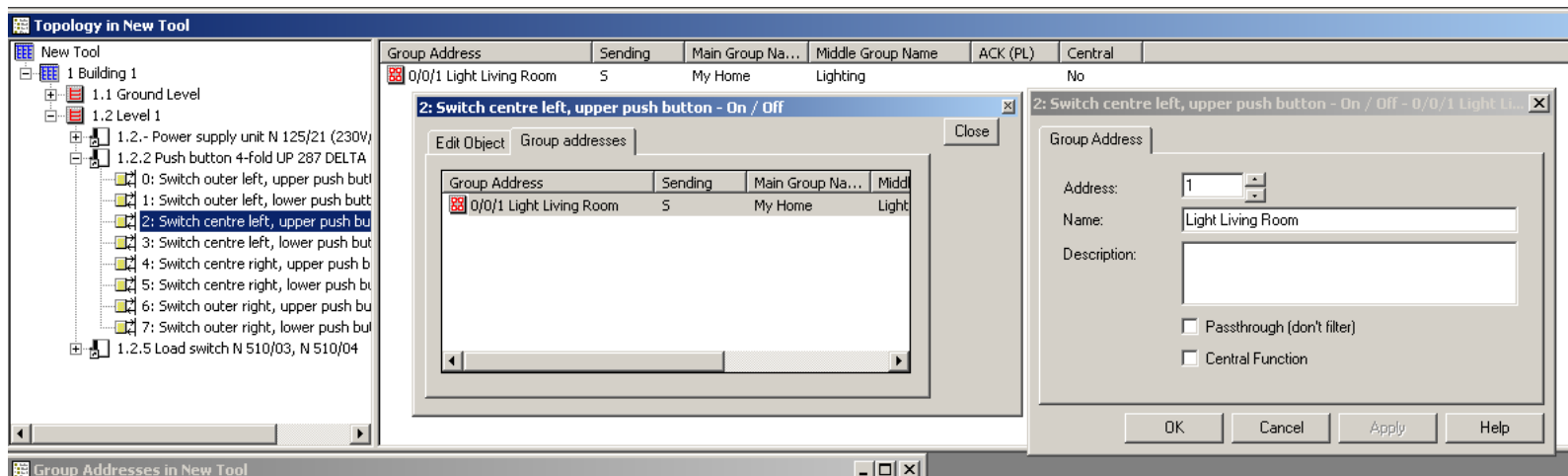
News & Facts in ETS3.0f

New Customer Features

New Communication Object Property Page

A new property page has been added for communication objects. The advantage is that the following information/operations are available without losing the device selection:

- 1) all linked GAs are shown
- 2) the Sending flag can be set
- 3) the Group speaker flag can be set (in case of Power Line)
- 4) the associated GAs can be deleted



News & Facts in ETS3.0f

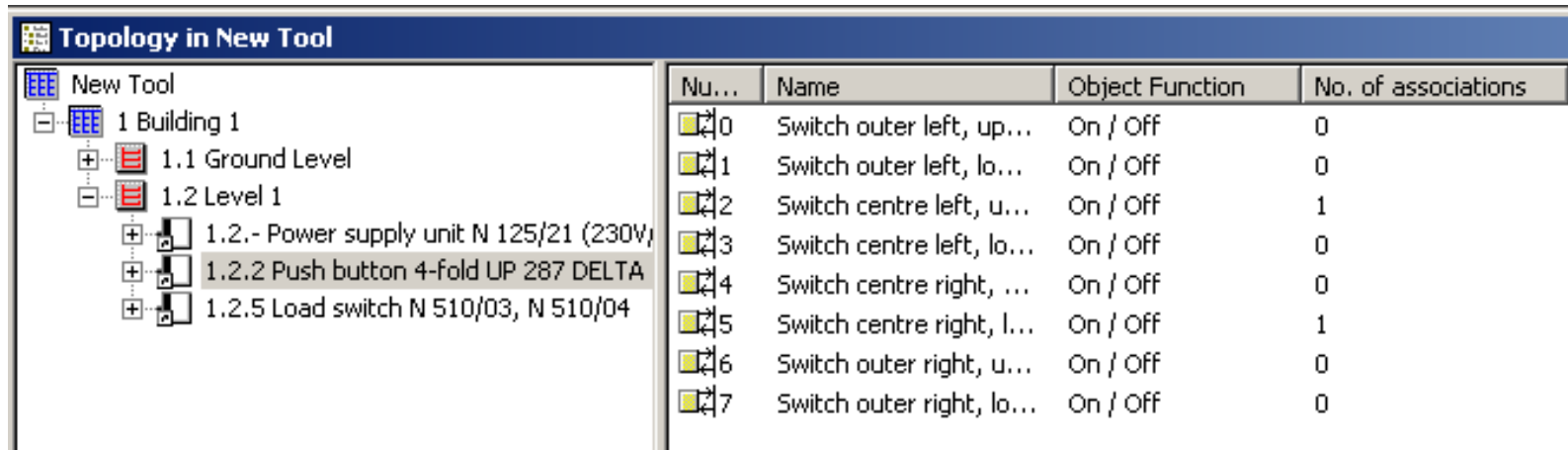
New Customer Features

#Associations Column in Group Address View

It's now possible to see the number of associated group addresses per communication object e.g. of an device in the “Topology View” or “All Devices View” of ETS.

This can be very useful; e.g. to check for possible „unused“ group addresses.

Remark: this column is by default because of performance reasons inactive. It can of course manually be activated (see help file) – not recommend for older computers as activating this column might slow it down significantly.



Topology in New Tool				
	Nu...	Name	Object Function	No. of associations
1 Building 1	0	Switch outer left, up...	On / Off	0
1.1 Ground Level	1	Switch outer left, lo...	On / Off	0
1.2 Level 1	2	Switch centre left, u...	On / Off	1
1.2.- Power supply unit N 125/21 (230V)	3	Switch centre left, lo...	On / Off	0
1.2.2 Push button 4-fold UP 287 DELTA	4	Switch centre right, ...	On / Off	0
1.2.5 Load switch N 510/03, N 510/04	5	Switch centre right, l...	On / Off	1
	6	Switch outer right, u...	On / Off	0
	7	Switch outer right, lo...	On / Off	0

New Developer Features

News & Facts in ETS3.0f

New Developer Features

Native System 300 Support

Support of (LTE) Devices with more than 255 Group Objects (formerly Communication Objects)

.NET 2.0 Support

Allows .NET 2.0 Plug In for Product Development.

Till ETS3.0e only .NET 1.1 was supported.

Differences between each Version and first Introduction into .NET can be found under:

http://en.wikipedia.org/wiki/.NET_Framework#.NET_Framework_1.1

News & Facts in ETS3.0f

New Developer Features

Standalone Falcon Supports of Long Frames

Falcon now supports long frames. By default, Falcon still uses short (standard) frames, e.g. the standard maximum APDU length is set to 13 so a telegram does never required extended frame format when sent on the physical medium, e.g. TP.

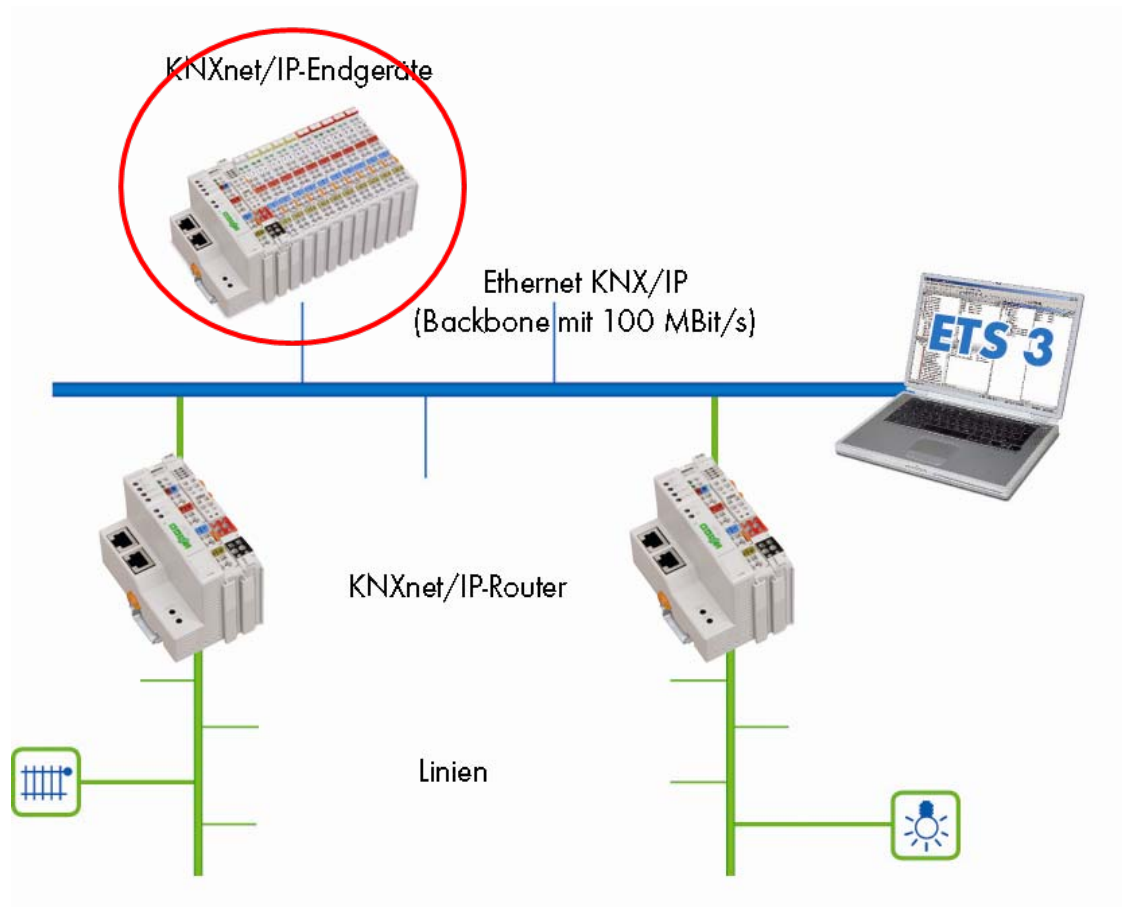
A Falcon client may now however increase this value up to the value the supported by the bus interface used. When using a cEMI USB device, this may be e.g. about 50 bytes.

Application layer services allowing the usage of longer frames, e.g. group telegrams, are then using the extended frame format on the bus. ETS3 today does not make usage of this new feature of Falcon.

News & Facts in ETS3.0f

New Developer Features

Support of KNXnet/IP, Topology KNXnet/IP Router and KNX IP Devices

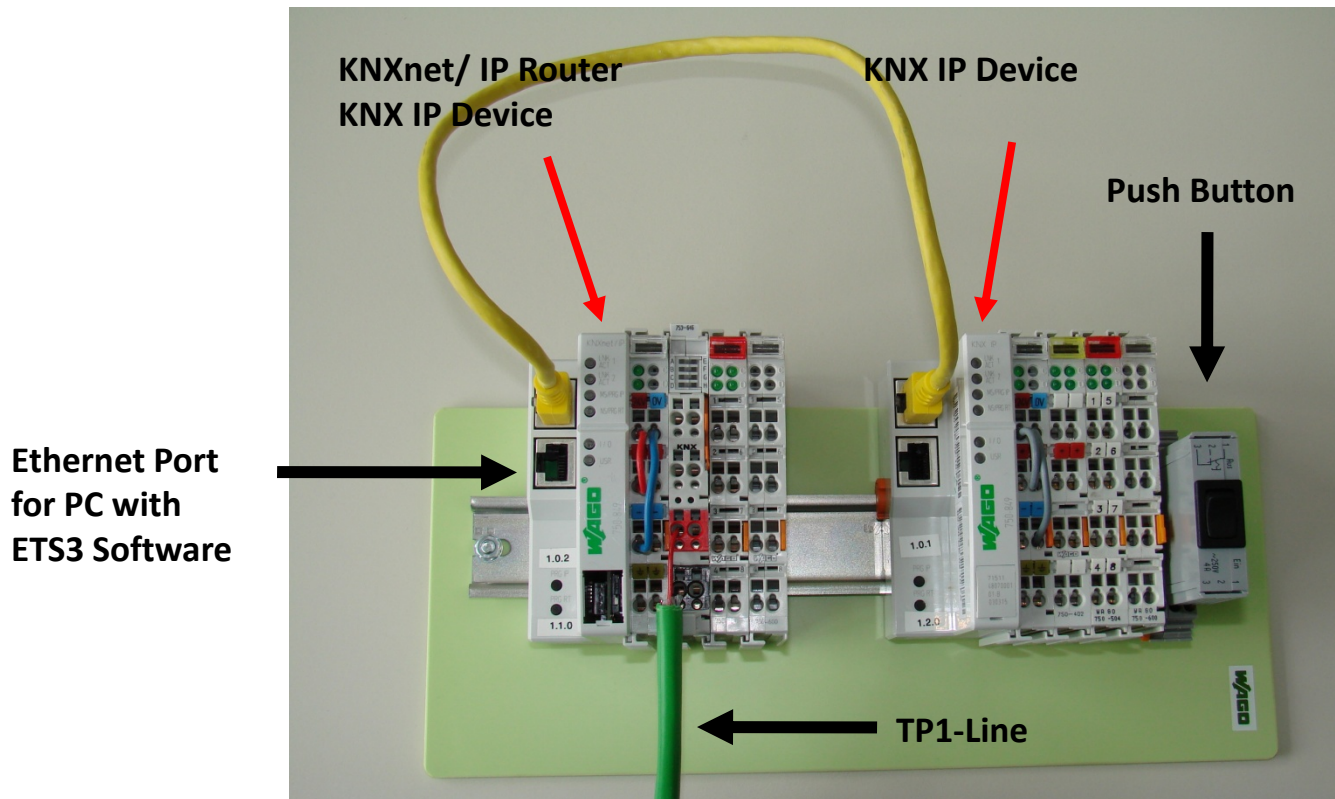


News & Facts in ETS3.0f

New Developer Features

Support of KNXnet/IP, Topology

Simple Installation Example of KNX IP Devices



News & Facts in ETS3.0f

New Developer Features

Support of KNX IP Devices

More Details

KNX IP Devices, Chapter “KNX IP – a New Class of KNX Devices”

WEB: <http://www.knx.org/news-press/knx-journal/>

Local: [Document](#)

KNX: [Introduction Draft](#)

Bug Correction

News & Facts in ETS3.0f

Bug Correction

Snapshot of Issues as Outcome from KNX Error Tracking System

...	
2282	Icon of "link to association" is wrong
3462	Resizable Parameter Dialog
3486	Use last copy strategy setting as default
3514	It's possible to copy too many devices into a line
3829	In a project originating from the ETS2 it's not possible to edit the description of a device
3831	ETS3 Import: Baggage Installation fails if LocalFileDir is NULL
3836	Kopieren von Geräten in ein anderes Projekt (Part 1: Disable option)
3849	Warn about high log level before download
3850	If opening a pull down menu in the parameters dialog using the arrow keys, the ETS will not display the changes
4015	Button too small
4019	Wrong data length in bus and group monitor
...	

A Summary of some of these Items can also be found in release Notes on KNX Page

<http://www.knx.org/knx-tools/ets/downloads/>

[Release Notes/File](#)