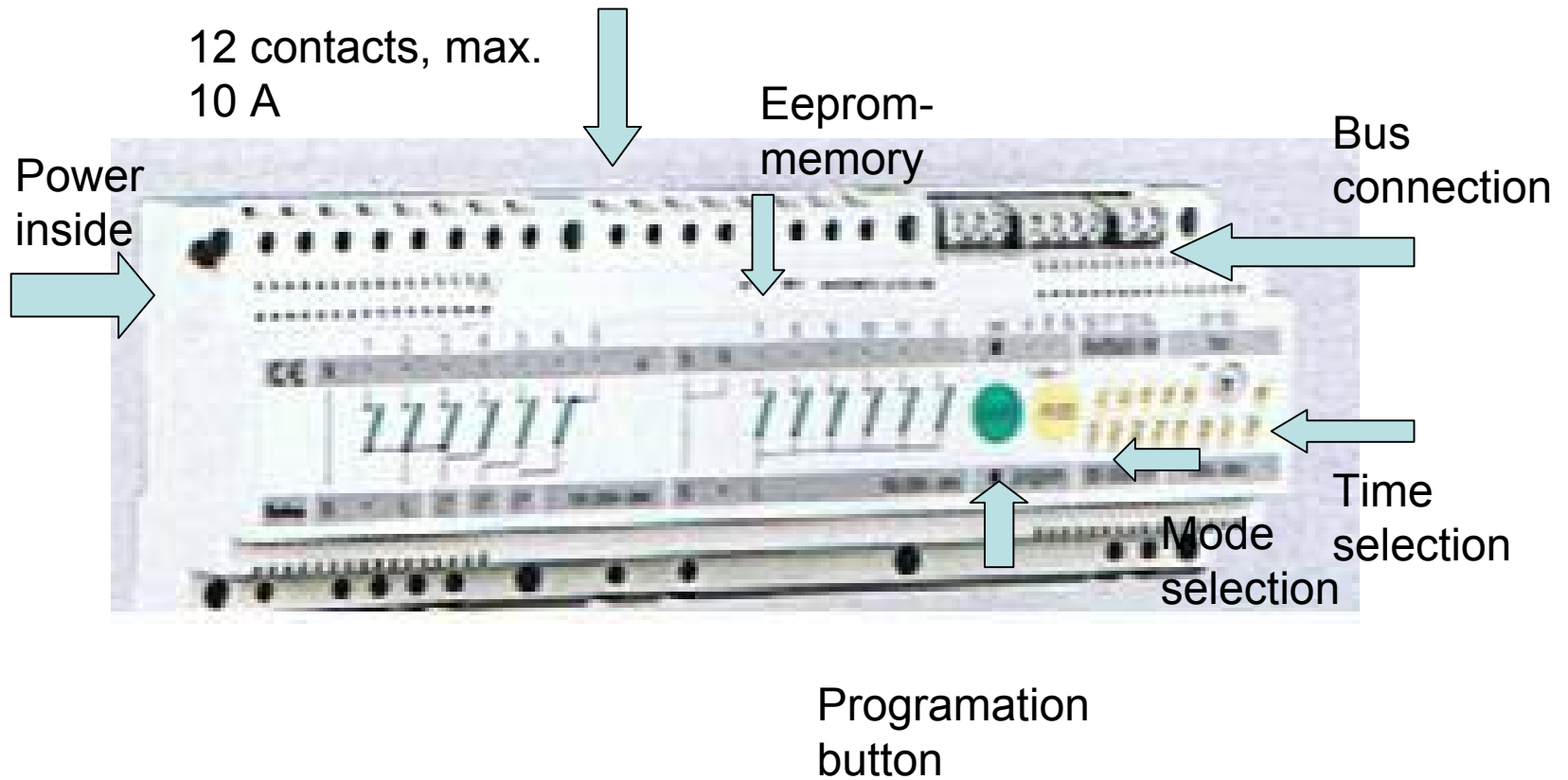


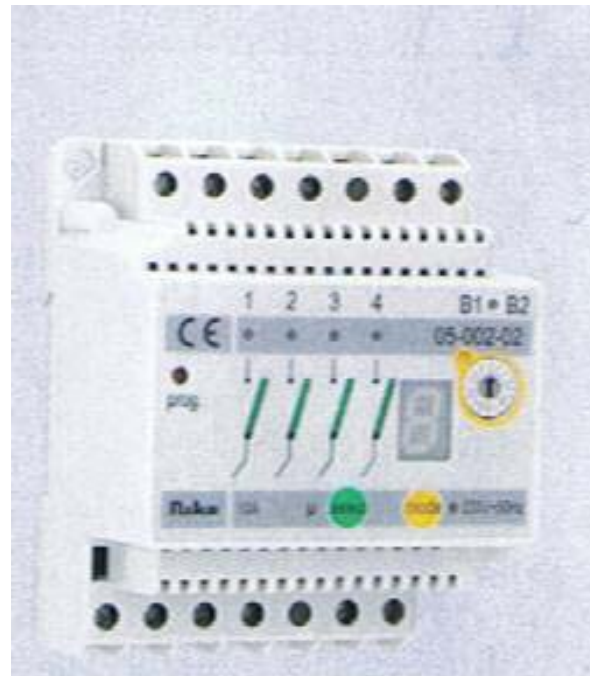
# Nikobus Domotic Solutions

# 1. modules

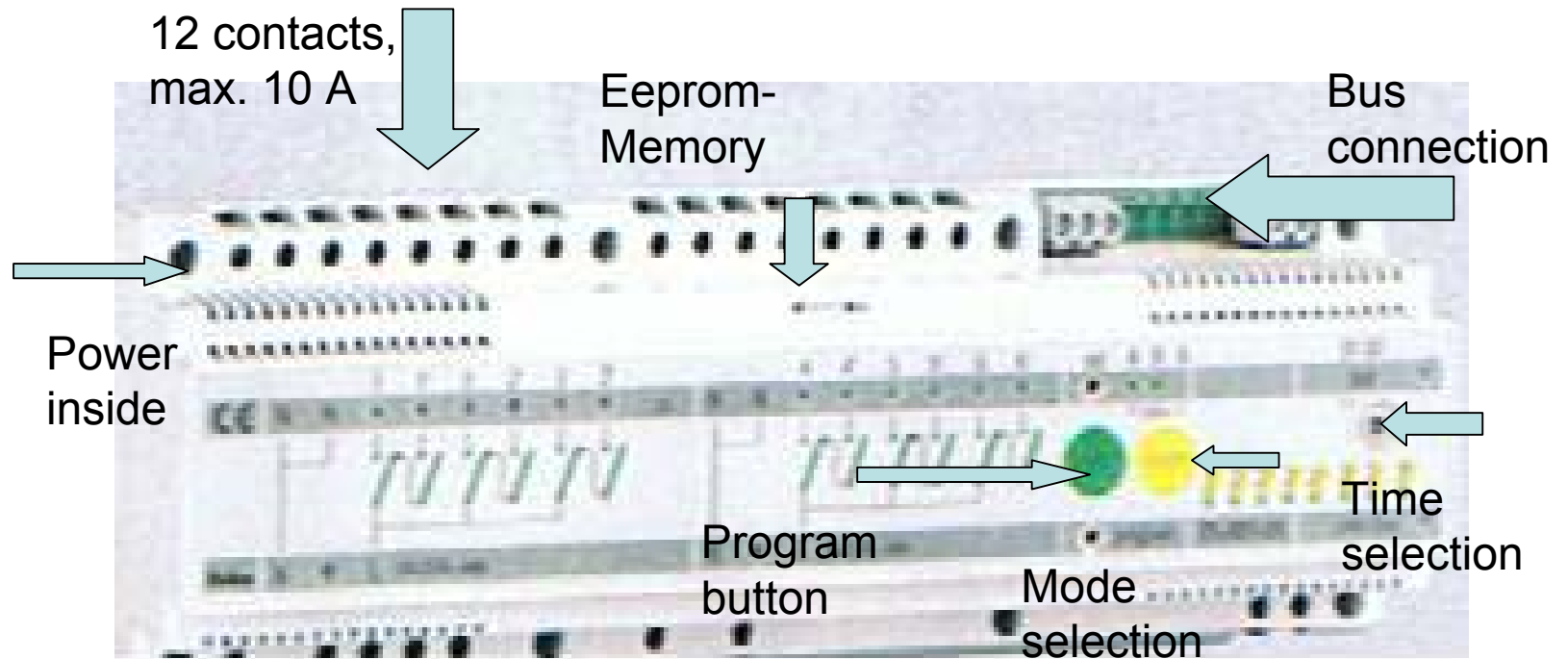
# 1.1 Switch module



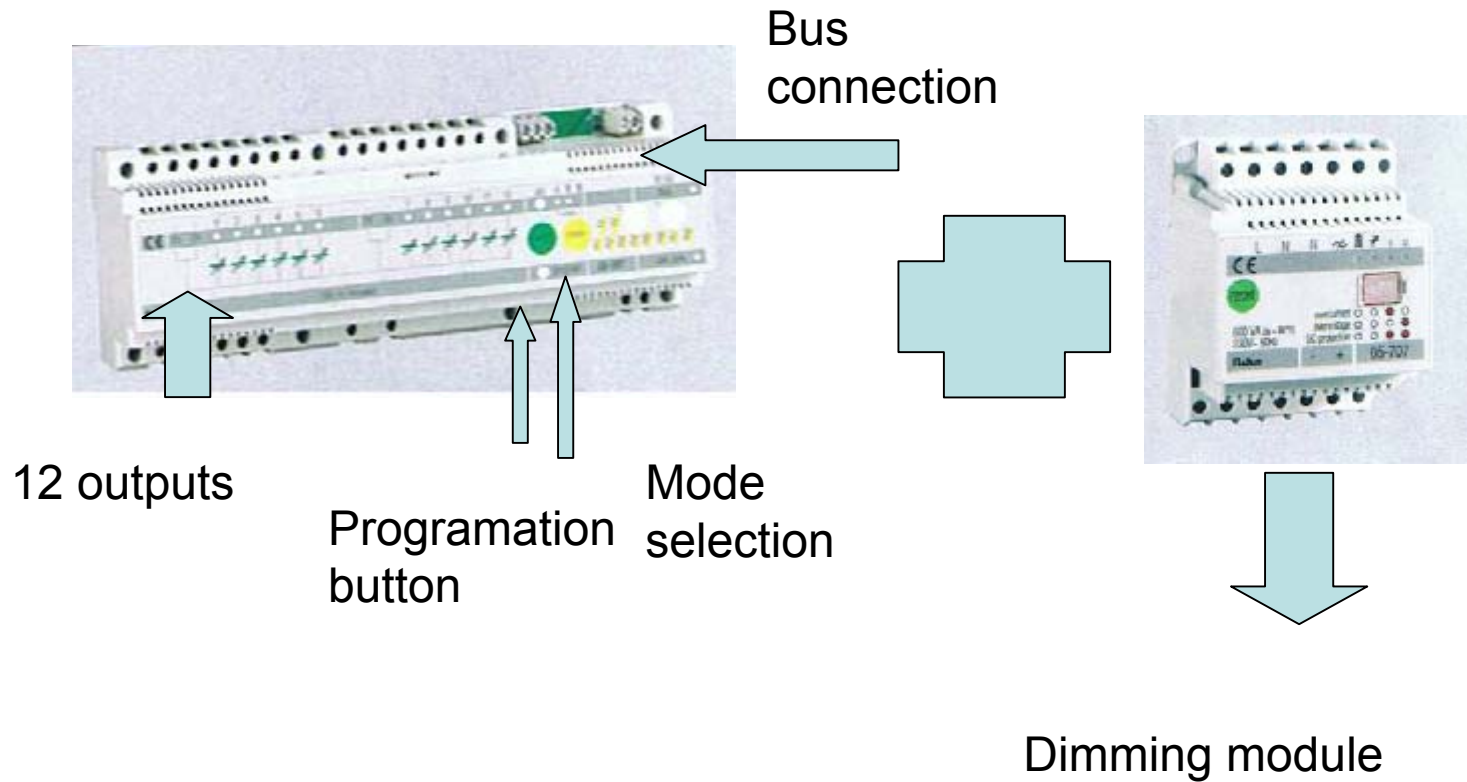
# 1.2 Compact switch module



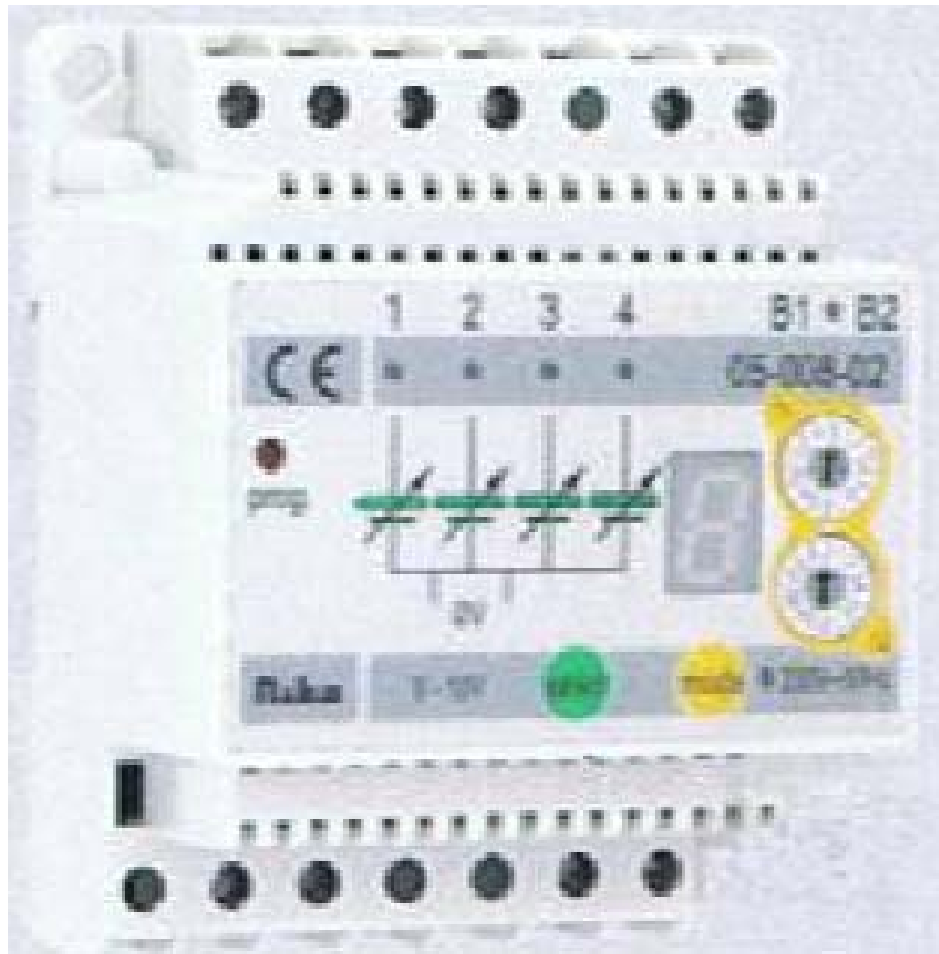
# 1.3 Shuttermodule



# 1.4 Dimcontroller



# 1.5 Compact Dimmmodule



## 2. Switches

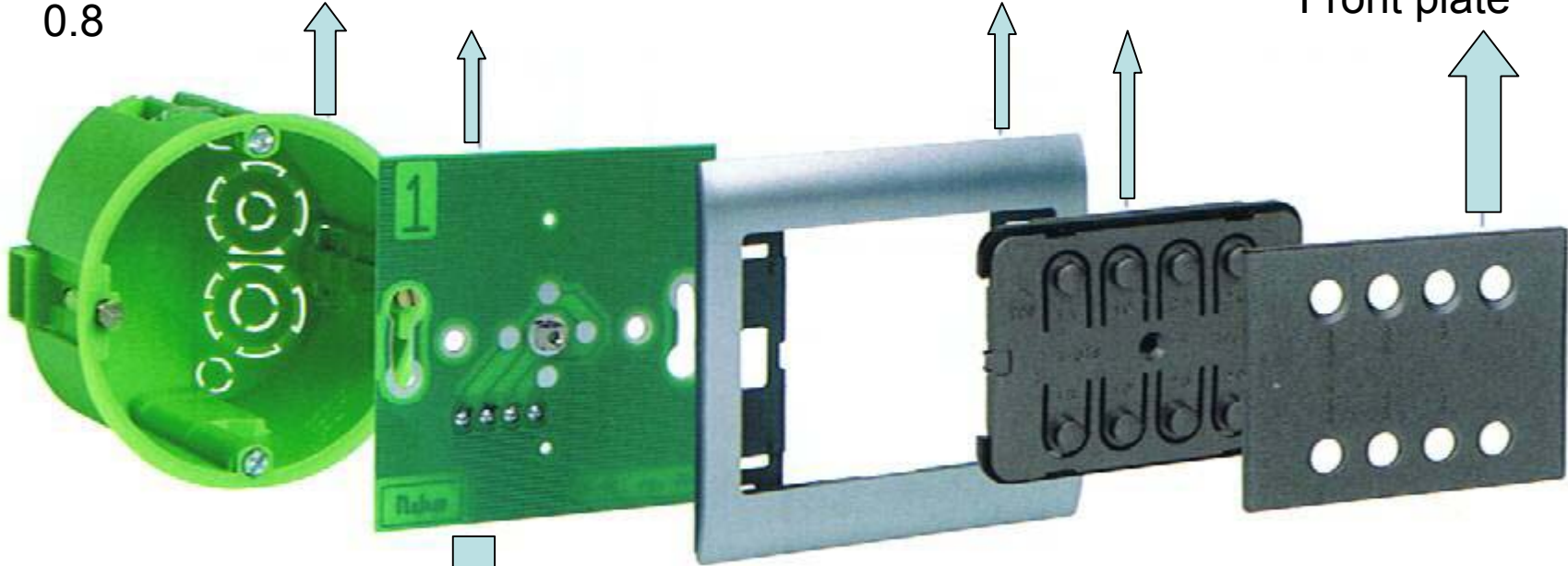
Wall box 2  
wire svv 4 X  
0.8

print

Frame

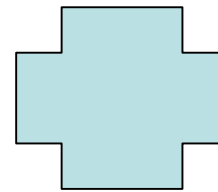
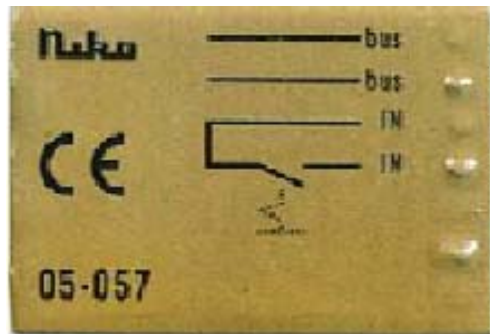
Switch

Front plate



Normal switch

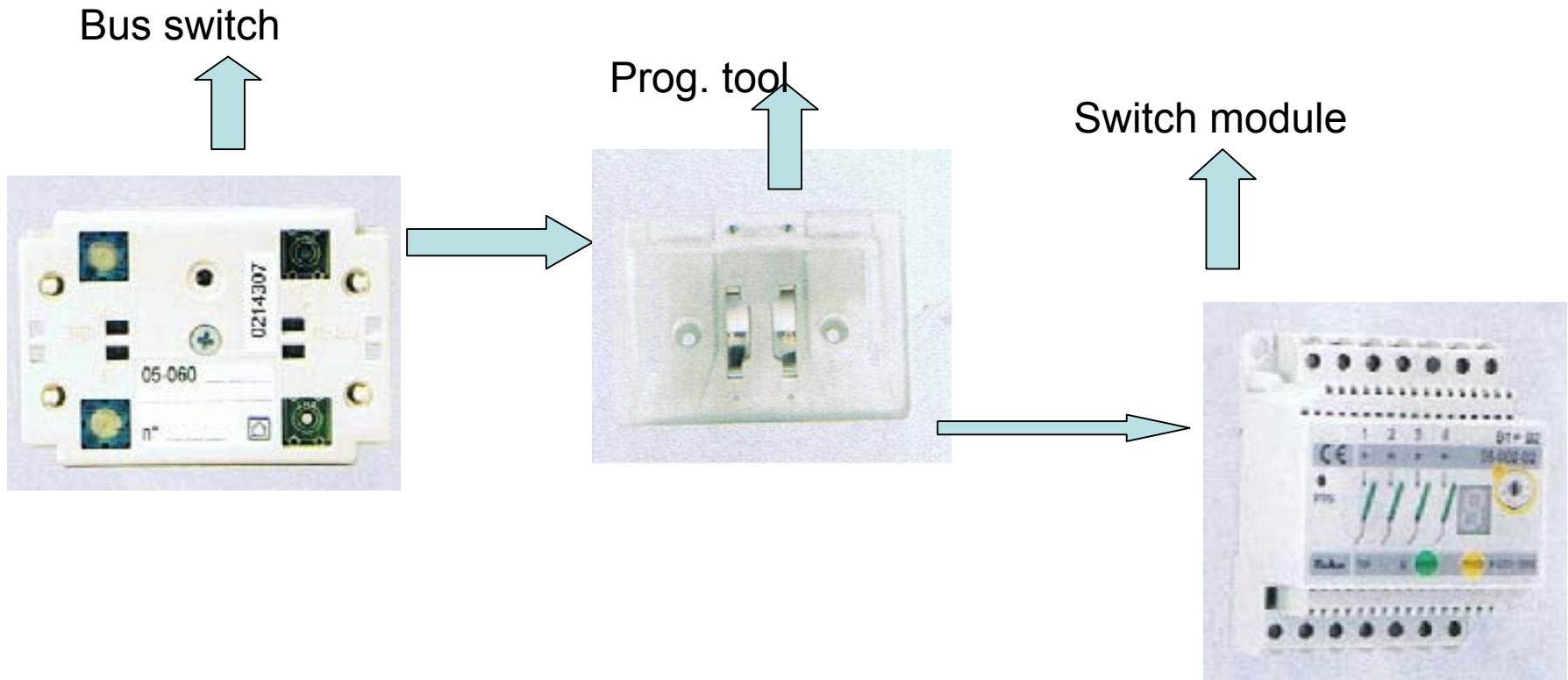
interface



# 3. Programmation

# 3.1 programmation

## 1. Basic programmation: screwdriver



## 3.2. How to do?



Screwdriver



Programmation button



Channel selection: yellow  
button( 1-12 )



Mode selection : green  
button



# Types of modes for switching module

1. On/off
2. On ( operating time)
3. Off ( operating time)
4. Impuls
5. Off with delay
6. On with delay
7. Light scene
8. Flashing



Screwdriver

End of programation

# 2. Programmation with software

## PC- link module



Adressing modules



Adressing switches



Connecting switches with outputs of modules, combined with mode and time selection

# Link editor

## Utgang

- Verdeelbord\_1
  - D1: Dimcontroller module
    - O1: Dimmeroutput**
    - O2: Dimmeroutput
    - O3: Dimmeroutput
    - O4: Dimmeroutput
    - O5: Dimmeroutput
    - O6: Dimmeroutput
    - O7: Dimmeroutput
    - O8: Dimmeroutput
    - O9: Dimmeroutput
    - O10: Dimmeroutput
    - O11: Dimmeroutput
    - O12: Dimmeroutput
  - R1: Rolluk module
  - S1: Schakel module

## Link mode

M04 (steer aan)

Geen parameter

.....

T2

1 s

AB conditie

geen

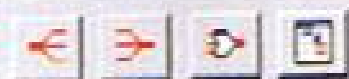
Voeg link toe

Weg de link toegevoegd is

## Ingang

- Keuken
  - BP1: 2 Bedieningsknoppen • LE
    - A: Input
    - B: Input
  - BP6: 2 Bedieningsknoppen IR
- Living
  - BP2: 2 Bedieningsknoppen Graf
  - BP3: 4 Bedieningsknoppen Ster
  - BP4: 8 Bedieningsknoppen Graf
- Badkamer
  - BP5: 4 Bedieningsknoppen

Toon enkel ongebruikte ingangen



Exit

# Extra modules



Logical functionality, 64 gates



Wireless modules RF interface



Binary interface 6 inputs



Two channels clock



Telephone module 1 or 4 channel



Brightness switch



Audio link module

# Audio System



The connection between Nikobus and Allegretto

# Overview



Allegretto



Contolling audio up to eight rooms



Build in reciever 4X 20 W, 4 ohm



IR controlabel



RS232, RS485  
connection



## Possibilities

1. Selection of the inputs 1-8
2. Skip
3. Volume up-down
4. Zone on/off
5. Bass
6. Treble
7. Balans
8. presets

# In general



Small system: on/off, stores,  
music, light control ( dimming),  
atmospheres



Easy to program, rather, limited



No direct thermostat on the bus



No touchscreen



Stand alone system